

BT-1 CS-2

Flangeless Ball Transfers



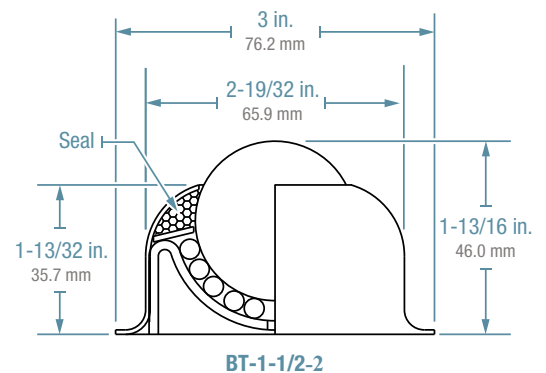
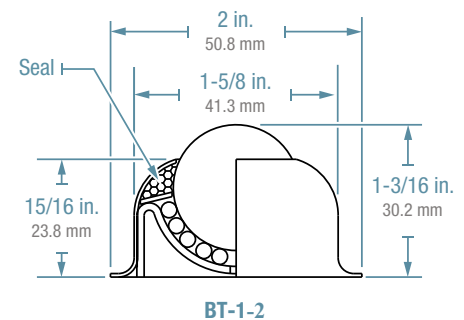
BT 1-1/2-2 CS



NBT 1-1/2-2 CS

Additional ball materials available

Part Number	Housing Mat.	Ball Material	Load Cap.
BT-1 CS-2	Carbon Steel	Carbon Steel	75 lbs.
NBT-1 CS-2	Carbon Steel	Nylon	75 lbs.
BT-1 CS/SS-2	Carbon Steel	Stainless Steel	75 lbs.
BT-1-1/2 CS-2	Carbon Steel	Carbon Steel	250 lbs.
NBT-1-1/2 CS-2	Carbon Steel	Nylon	250 lbs.
BT-1-1/2 CS/SS-2	Carbon Steel	Stainless Steel	250 lbs.



FLANGELESS, ALL STEEL

- BT 1: 1" Main ball rotates on 1/8" support balls.
- BT 1-1/2: 1-1/2" Main ball rotates on 3/16" support balls.
- Ball support cup is hardened and plated.
- Protective cover assures low torque and longevity.
- Available in stainless steel for additional corrosion resistance.

All product designs subject to change, please verify accuracy of dimensions.