

**STAINLESS STEEL INNER
RACE WITH SINGLE OR
MULTIPLE WEEP HOLES**

**BESPOKE
CONFIGURATIONS**

Example: all-stainless steel grooved housing ball transfer with retaining ring and inner race (850 lbs.).



**ALL STAINLESS
FLYING SAUCERS
WITH MULTIPLE
WEEP HOLES**

**CARBON STEEL
HOUSING WITH DELRIN
OR ALL METAL CAP**

**PROPRIETARY
INNER RACE GEOMETRY**

850 lbs. Load Capacity
& Smooth Rolling





USAF BALL DECK INSTALLATION



STAINLESS STEEL BALL TRANSFER DOLLY



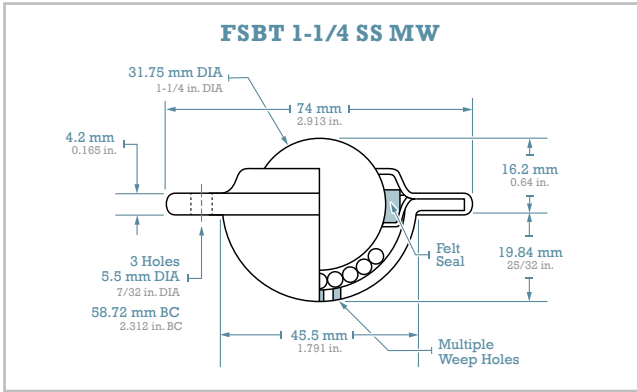
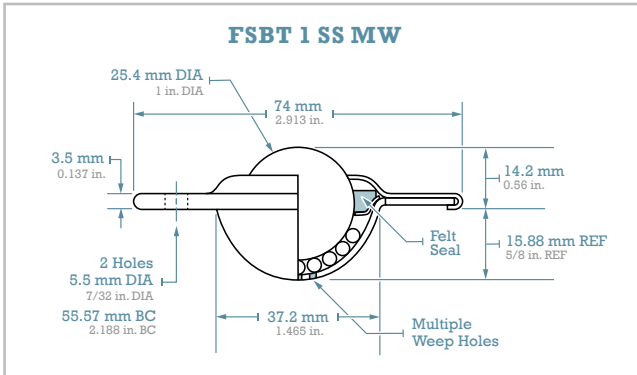
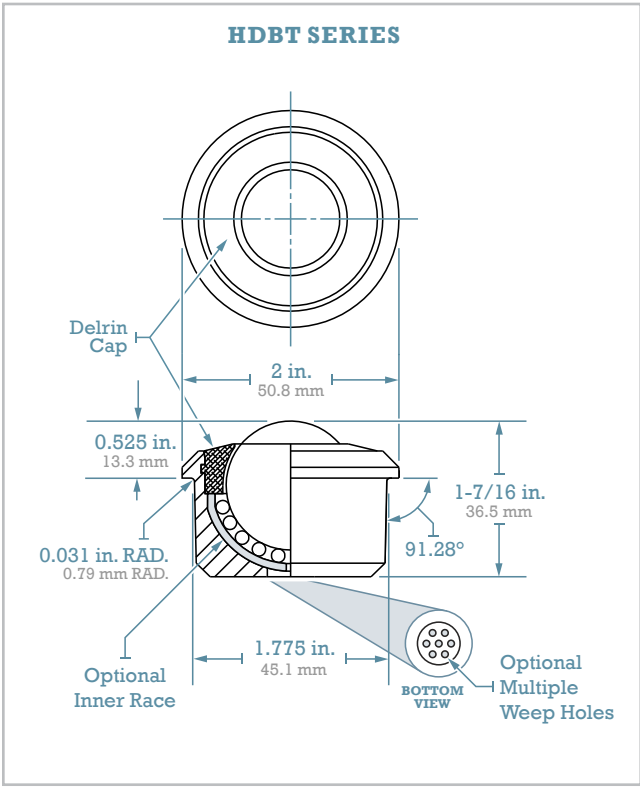
**Large Stock • 1 Year Warranty • Lab Tested • Private Label
Currently Used by Most Major Delivery Companies and Airlines**

Interchangeable Configurations

| Product Code | Load Cap. | Stainless Steel Inner Race | Fixing Clips | Housing Comp. | Multiple Weep Holes | Housing Finish | Cap Comp. | Main & Support Ball |
|----------------------------------------------------------------------------------------------------------|-----------------------------------------------------------------------------------|----------------------------|--------------|---------------|---------------------|----------------|-----------------------------|---------------------|
|  HDBT 1-3/16 CS/SS YZ IR | 850 lbs. 385kg | ✓ | Optional | Carbon Steel | Optional | Yellow Zinc | Delrin | Stainless Steel |
|  HDBTM 1-3/16 YZ IR | 850 lbs. 385kg | ✓ | Optional | Carbon Steel | Optional | Yellow Zinc | Carbon Steel w/ Zinc Finish | Stainless Steel |
|  HDBT 1-3/16 CS/SS YZ | 550 lbs. 250kg | ✗ | Optional | Carbon Steel | Optional | Yellow Zinc | Delrin | Stainless Steel |
|  Bespoke Configurations | Bespoke configurations include ball, housing, and cap materials not listed above. | | | | | | | |

| Product Code | Load Cap. | Multiple Weep Holes | Felt Seal | Cup (Heat-Treated & Passivated) | Cover & Retainer (Passivated) | Main & Support Balls |
|--------------------------------------------------------------------------------------------------|--------------------|---------------------|-----------|------------------------------------|----------------------------------|----------------------|
|  FSBT 1 SSMW | 120 lbs. 55 kg | ✓ | Optional | 410 Stainless Steel | 304 Stainless Steel | 420 Stainless Steel |
|  FSBT 1-1/4 SSMW | 275 lbs. 125 kg | ✓ | Optional | 410 Stainless Steel | 304 Stainless Steel | 420 Stainless Steel |

Dimensions



U.S. Based Manufacturer • Turnkey Project Management • Bespoke Configurations
 10,000 Unit Stock • 1 Year Warranty • Independent Lab Tested • Private Label