

MBT 5/8

Drop-In Style Ball Transfers



MBT 5/8



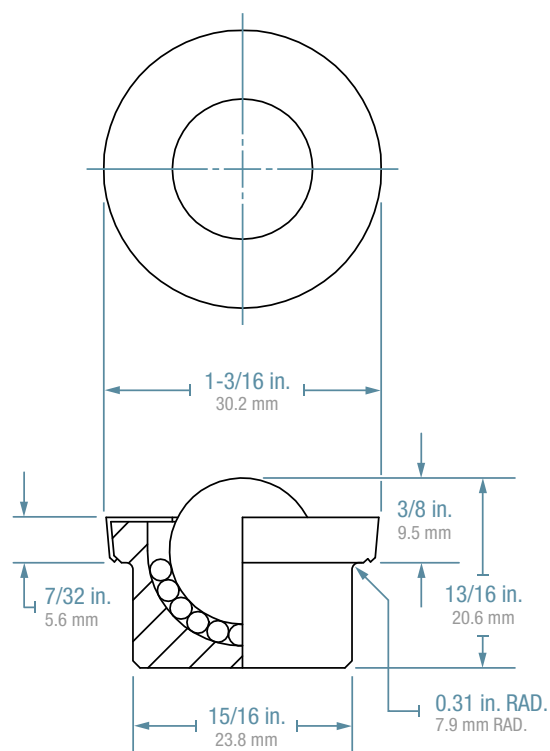
NMBT 5/8

Additional ball materials available

Part Number	Housing Mat.	Ball Material	Load Cap.
MBT 5/8 CS	Carbon Steel	Carbon Steel	125 lbs.
NMBT 5/8 CS	Carbon Steel	Nylon	125 lbs.
MBT 5/8 CS/SS	Carbon Steel	Stainless Steel	125 lbs.
MBT 5/8 SS	Stainless Steel	Stainless Steel	125 lbs.

SOLID MACHINED, ALL-STEEL

- Integral flange at top allows unit to be dropped into 1" diameter hole.
- 5/8" Main ball rotates on 3/32" support balls.
- Carbon steel ball support cup is machined from solid steel and is hardened and plated.
- Plated steel cover.
- Available in stainless steel for additional corrosion resistance.



All product designs subject to change, please verify accuracy of dimensions.

PS1508