



FSBT 1 SS MW
120 lbs.
55 kg





FSBT 1-1/4 SS MW
275 lbs.
125 kg

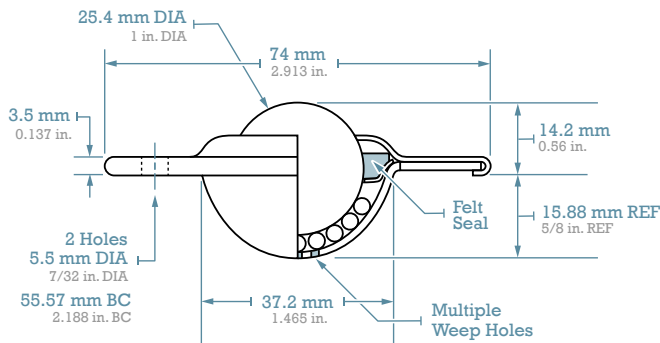


MULTIPLE WEEP HOLES
STANDARD

Configurations

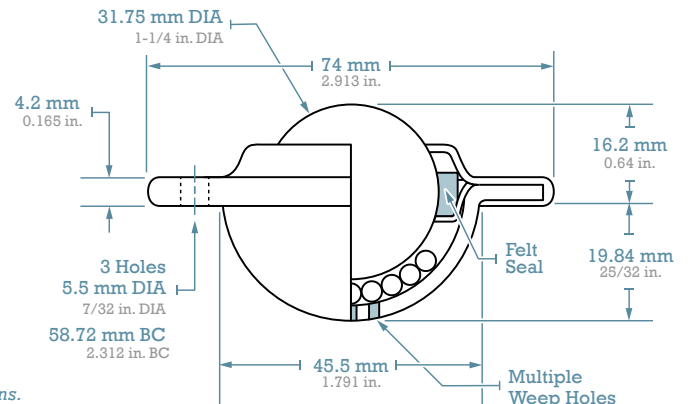
	Product Code	Load Cap.	Multiple Weep Holes	Felt Seal	Cup (Heat-Treated & Passivated)	Cover & Retainer (Passivated)	Main & Support Balls
	FSBT 1 SS MW	120 lbs. 55 kg	✓	✓	410 Stainless Steel	304 Stainless Steel	420 Stainless Steel
	FSBT 1-1/4 SS MW	275 lbs. 125 kg	✓	✓	410 Stainless Steel	304 Stainless Steel	420 Stainless Steel

FSBT 1 SS MW



Dimensions

FSBT 1-1/4 SS MW



All product designs subject to change, please verify accuracy of dimensions.

Interchangeable • 2 Year Warranty • Independent Lab Tested • Private Label