

Hudson

BEARINGS

FSBT

Flying Saucer Ball Transfers



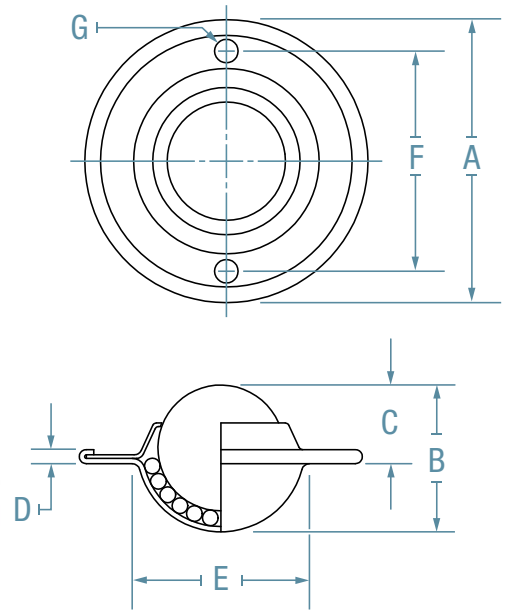
FSBT 1-1/2



FSBT 5/8



NFSBT 1



All product designs subject to change, please verify accuracy of dimensions.

Additional ball materials available

Part Number	Housing Mat.	Ball Material	Load Cap.	Main Ball	A	B	C	D	E	F	G
FSBT 5/8 CS	Carbon Steel	Carbon Steel	40 lbs.	5/8" 15.9mm	1-11/16" 42.9mm	3/4" 19.1mm	3/8" 9.5mm	5/32" 4.0mm	31/32" 24.6mm	1-1/4" 31.8mm	9/64" 3.6mm
NFSBT 5/8 CS	Carbon Steel	Nylon	40 lbs.	5/8" 15.9mm	1-11/16" 42.9mm	3/4" 19.1mm	3/8" 9.5mm	5/32" 4.0mm	31/32" 24.6mm	1-1/4" 31.8mm	9/64" 3.6mm
FSBT 5/8 CS/SS	Carbon Steel	Stainless	40 lbs.	5/8" 15.9mm	1-11/16" 42.9mm	3/4" 19.1mm	3/8" 9.5mm	5/32" 4.0mm	31/32" 24.6mm	1-1/4" 31.8mm	9/64" 3.6mm
FSBT 1CS	Carbon Steel	Carbon Steel	75 lbs.	1" 25.4mm	2-1/4" 57.2mm	1-7/32" 31.0mm	5/8" 15.9mm	3/16" 4.8mm	1-1/2" 38.1mm	1-3/4" 44.5mm	3/16" 4.8mm
NFSBT 1CS	Carbon Steel	Nylon	75 lbs.	1" 25.4mm	2-1/4" 57.2mm	1-7/32" 31.0mm	5/8" 15.9mm	3/16" 4.8mm	1-1/2" 38.1mm	1-3/4" 44.5mm	3/16" 4.8mm
FSBT 1 CS/SS	Carbon Steel	Stainless	75 lbs.	1" 25.4mm	2-1/4" 57.2mm	1-7/32" 31.0mm	5/8" 15.9mm	3/16" 4.8mm	1-1/2" 38.1mm	1-3/4" 44.5mm	3/16" 4.8mm
FSBT 1-1/2 CS	Carbon Steel	Carbon Steel	200 lbs.	1-1/2" 38.1mm	3-21/32" 92.9mm	1-13/16" 46.0mm	1-9/64" 29.0mm	9/32" 7.1mm	2" 50.8mm	2-3/4" 69.9mm	9/32" 7.1mm
NFSBT 1-1/2 CS	Carbon Steel	Nylon	200 lbs.	1-1/2" 38.1mm	3-21/32" 92.9mm	1-13/16" 46.0mm	1-9/64" 29.0mm	9/32" 7.1mm	2" 50.8mm	2-3/4" 69.9mm	9/32" 7.1mm
FSBT 1-1/2 CS/SS	Carbon Steel	Stainless	200 lbs.	1-1/2" 38.1mm	3-21/32" 92.9mm	1-13/16" 46.0mm	1-9/64" 29.0mm	9/32" 7.1mm	2" 50.8mm	2-3/4" 69.9mm	9/32" 7.1mm

VERSATILE, COMPACT, ALL-STEEL

- Can be recessed into the surface of the application forming a smooth, multi-directional rolling surface.
- Precision-formed steel housing.

- Integral mounting holes for ease of installation.
- Available with stainless steel balls for additional corrosion resistance.