

# Hudson

## BEARINGS

# FLBT

Flangeless Ball Transfers



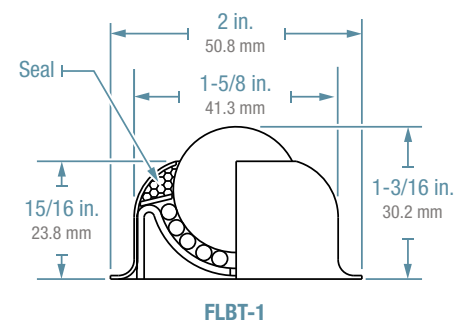
FLBT 1-1/2 CS



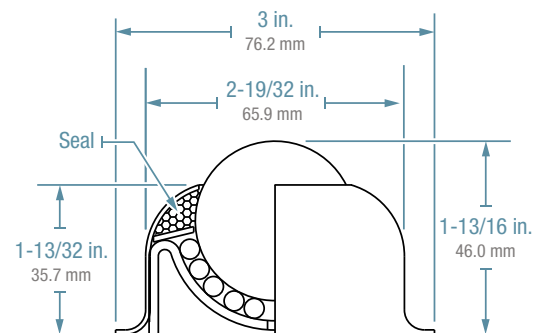
NFLBT 1-1/2 CS

Additional ball materials available

| Part Number             | Housing Mat. | Ball Material   | Load Cap. |
|-------------------------|--------------|-----------------|-----------|
| <b>FLBT 1 CS</b>        | Carbon Steel | Carbon Steel    | 75 lbs.   |
| <b>NFLBT 1 CS</b>       | Carbon Steel | Nylon           | 75 lbs.   |
| <b>FLBT 1 CS/SS</b>     | Carbon Steel | Stainless Steel | 75 lbs.   |
| <b>FLBT 1-1/2 CS</b>    | Carbon Steel | Carbon Steel    | 250 lbs.  |
| <b>NFLBT 1-1/2 CS</b>   | Carbon Steel | Nylon           | 250 lbs.  |
| <b>FLBT 1-1/2 CS/SS</b> | Carbon Steel | Stainless Steel | 250 lbs.  |



FLBT-1



FLBT-1-1/2

### FLANGELESS, ALL STEEL

- FLBT 1: 1" Main ball rotates on 1/8" support balls.
- FLBT 1-1/2: 1-1/2" Main ball rotates on 3/16" support balls.
- Ball support cup is hardened and plated.
- Protective cover assures low torque and longevity.
- Available in stainless steel for additional corrosion resistance.

All product designs subject to change, please verify accuracy of dimensions.