

FHDBTM 1-3/16

Heavy Duty Ball Transfers



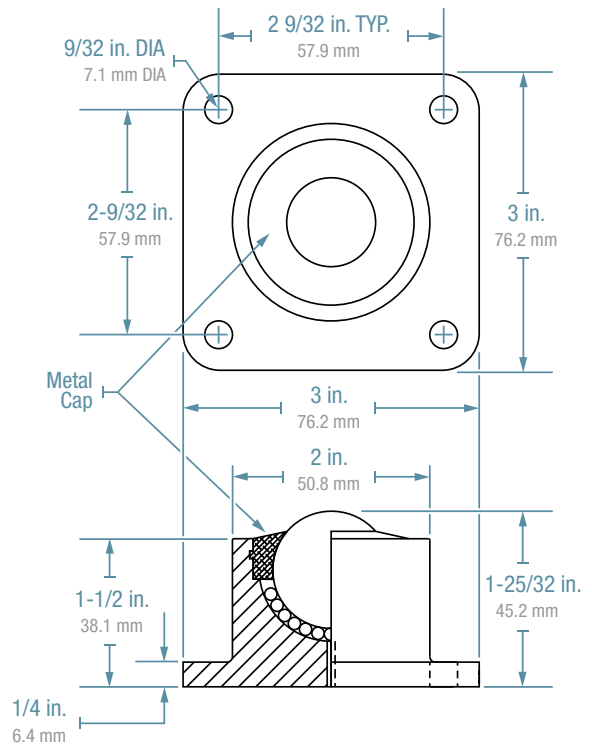
FHDBTM 1-3/16

Additional ball materials available

Part Number	Housing Mat.	Ball Material	Load Cap.
FHDBTM 1-3/16 CS	Carbon Steel	Carbon Steel	750 lbs.
FHDBTM 1-3/16 CS/SS	Carbon Steel	Stainless Steel	750 lbs.
FHDBTM 1-3/16 SS	Stainless Steel	Stainless Steel	750 lbs.

750 LB. CAPACITY

- Metal cap for additional strength and durability.
- Integral flange at top allows unit to be dropped into 1-13/16" diameter hole.
- 1-3/16" Main ball rotates on 1/8" support balls.
- Carbon steel ball support cup is machined from solid steel and is hardened and plated.
- Retaining ring is solid metal.
- Available in stainless steel for additional corrosion resistance.



All product designs subject to change, please verify accuracy of dimensions.

PS1508