

**STAINLESS STEEL INNER
RACE WITH SINGLE OR
MULTIPLE WEEP HOLES**

**BESPOKE
CONFIGURATIONS**

Example: all-stainless steel grooved housing ball transfer with retaining ring and inner race (850 lbs.).



**PROPRIETARY
INNER RACE GEOMETRY**



**ALL STAINLESS
FLYING SAUCERS
WITH MULTIPLE
WEEP HOLES**

**CARBON STEEL
HOUSING WITH DELRIN
OR ALL METAL CAP**

850 lbs. Load Capacity
& Smooth Rolling





USAF BALL DECK INSTALLATION



STAINLESS STEEL BALL TRANSFER DOLLY



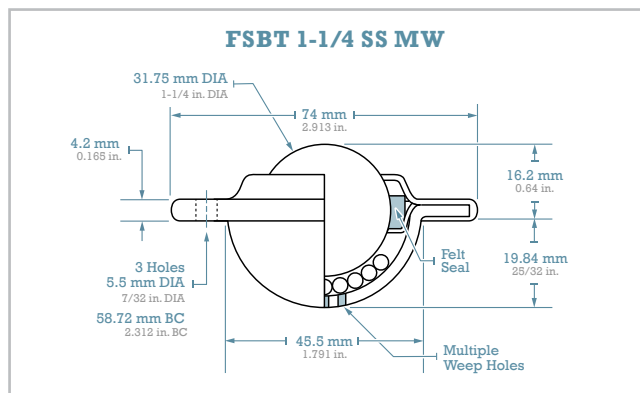
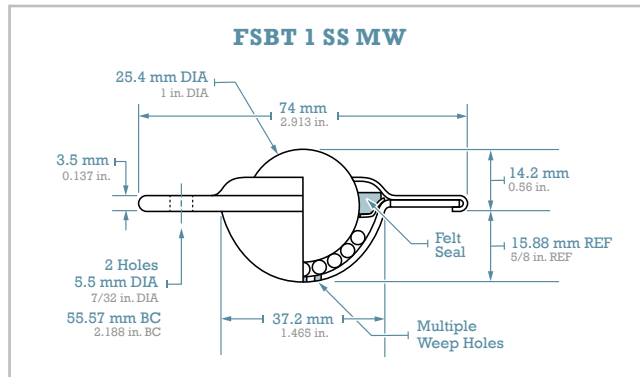
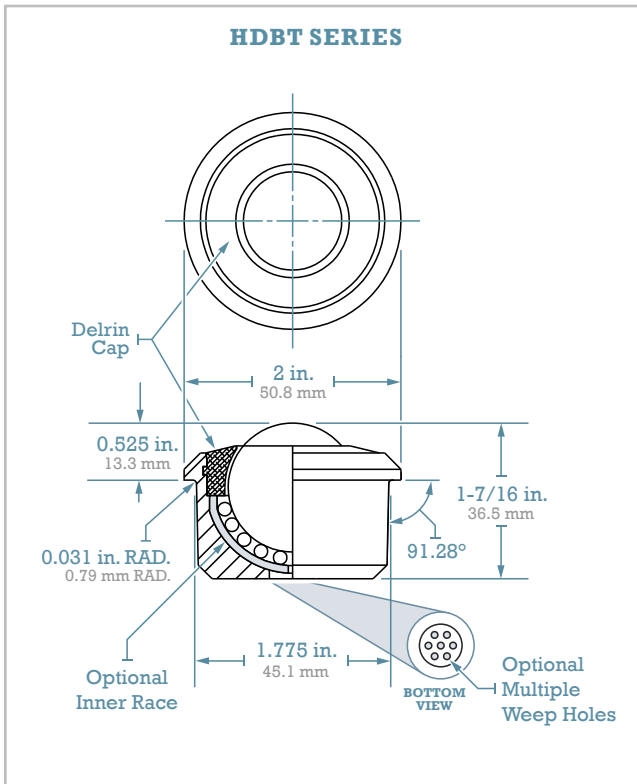
**Large Stock • 2 Year Warranty • Lab Tested • Private Label
Currently Used by Most Major Delivery Companies and Airlines**

Interchangeable Configurations

Product Code	Load Cap.	Stainless Steel Inner Race	Fixing Clips	Housing Comp.	Multiple Weep Holes	Housing Finish	Cap Comp.	Main & Support Ball
 HDBT 1-3/16 CS/SS YZ IR	850 lbs. 385kg	✓	Optional	Carbon Steel	Optional	Yellow Zinc	Delrin	Stainless Steel
 HDBTM 1-3/16 YZ IR	850 lbs. 385kg	✓	Optional	Carbon Steel	Optional	Yellow Zinc	Carbon Steel w/ Zinc Finish	Stainless Steel
 HDBT 1-3/16 CS/SS YZ	550 lbs. 250kg	✗	Optional	Carbon Steel	Optional	Yellow Zinc	Delrin	Stainless Steel
 Bespoke Configurations	Bespoke configurations include ball, housing, and cap materials not listed above.							

Product Code	Load Cap.	Multiple Weep Holes	Felt Seal	Cup (Heat-Treated & Passivated)	Cover & Retainer (Passivated)	Main & Support Balls
 FSBT 1 SSMW	120 lbs. 55 kg	✓	Optional	410 Stainless Steel	304 Stainless Steel	420 Stainless Steel
 FSBT 1-1/4 SSMW	275 lbs. 125 kg	✓	Optional	410 Stainless Steel	304 Stainless Steel	420 Stainless Steel

Dimensions



U.S. Based Manufacturer • Turnkey Project Management • Bespoke Configurations
10,000 Unit Stock • 2 Year Warranty • Independent Lab Tested • Private Label