

SBT 1-1/2

Stud-Mounted Ball Transfers



SBT 1-1/2



NSBT 1-1/2

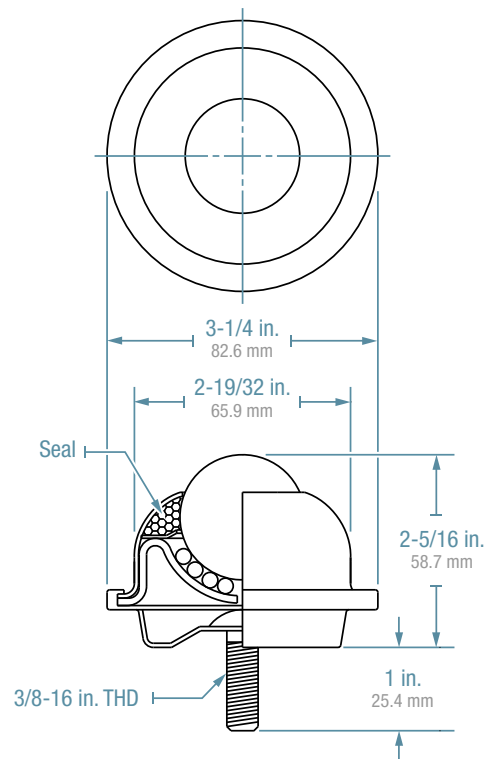
Additional ball materials available

Part Number	Housing Mat.	Ball Material	Load Cap.
SBT 1-1/2 CS	Carbon Steel	Carbon Steel	250 lbs.
NSBT 1-1/2 CS	Carbon Steel	Nylon	250 lbs.
SBT 1-1/2 CS/SS	Carbon Steel	Stainless Steel	250 lbs.

STUD-MOUNTED, ALL-STEEL, FOR HEAVY-DUTY APPLICATIONS

- Threaded stud size: 3/8-16.
- 1-1/2" Main ball rotates on 3/16" support balls.
- Ball support cup is hardened and plated.
- Protective cover assures low torque and longevity.

NOTE: Neoprene cushion available to permit vertical deflection and assist with uniform load distribution (Part number CSBT 1-1/2)



All product designs subject to change, please verify accuracy of dimensions.