

# Hudson

## BEARINGS

### PBT 1-1/2

Pipe-Mounted Ball Transfers



PBT 1-1/2



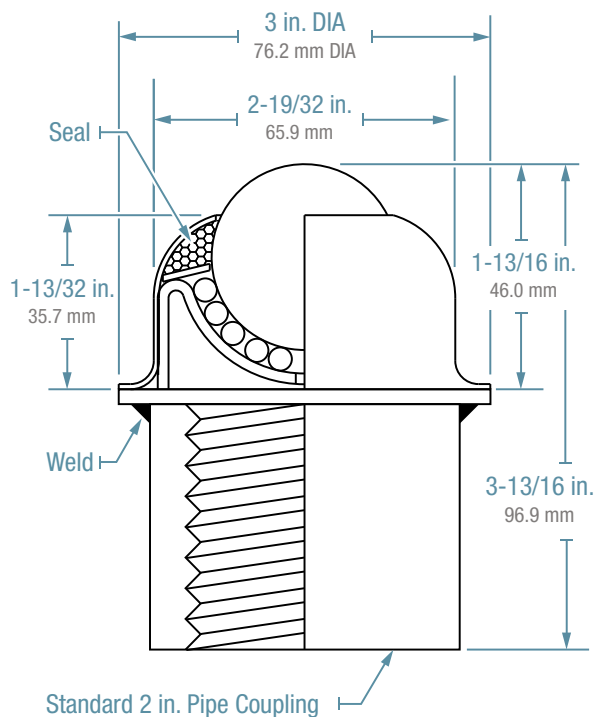
NPBT 1-1/2

Additional ball materials available

Part Number	Housing Mat.	Ball Material	Load Cap.
<b>PBT 1-1/2 CS</b>	Carbon Steel	Carbon Steel	250 lbs.
<b>NPBT 1-1/2 CS</b>	Carbon Steel	Nylon	250 lbs.
<b>PBT 1-1/2 CS/SS</b>	Carbon Steel	Stainless Steel	250 lbs.

#### PIPE-MOUNTED

- Allows positioning on a 2" pipe pedestal in front of shears or press breaks.
- 1-1/2" Main ball rotates on 3/16" support balls.
- Ball transfer unit is welded to a standard carbon steel 2" pipe coupling.
- Ball support cup is hardened and plated.
- Protective cover assures low torque and longevity.
- Available with stainless steel balls for additional corrosion resistance.



All product designs subject to change, please verify accuracy of dimensions.