

Hudson

BEARINGS

BT 1

Flange-Mounted Ball Transfers



BT 1



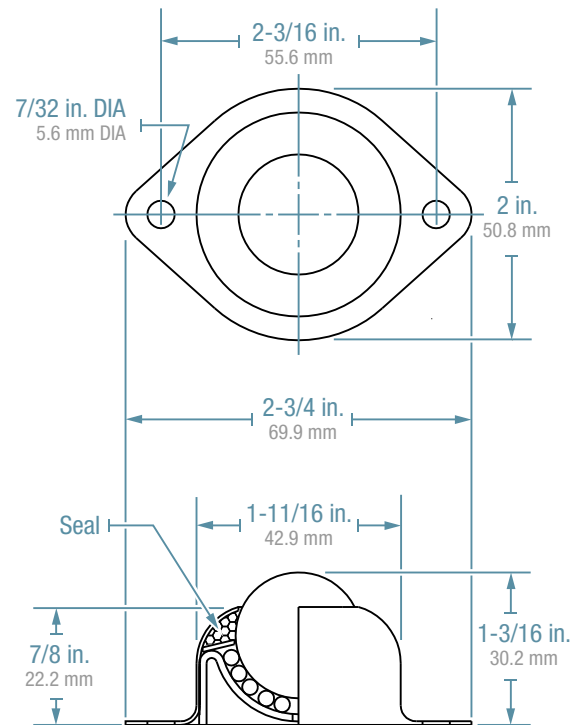
NBT 1

Additional ball materials available

Part Number	Housing Mat.	Ball Material	Load Cap.
BT 1 CS	Carbon Steel	Carbon Steel	75 lbs.
NBT 1 CS	Carbon Steel	Nylon	75 lbs.
BT 1 CS/SS	Carbon Steel	Stainless Steel	75 lbs.
BT 1 SS	Stainless Steel	Stainless Steel	75 lbs.

TWO-HOLE, FLANGE MOUNTED, ALL-STEEL

- 1" Main ball rotates on 1/8" support balls.
- Ball support cup is hardened and plated.
- Protective cover assures low torque and longevity.
- Available in stainless steel for additional corrosion resistance.



All product designs subject to change, please verify accuracy of dimensions.

PS1508