

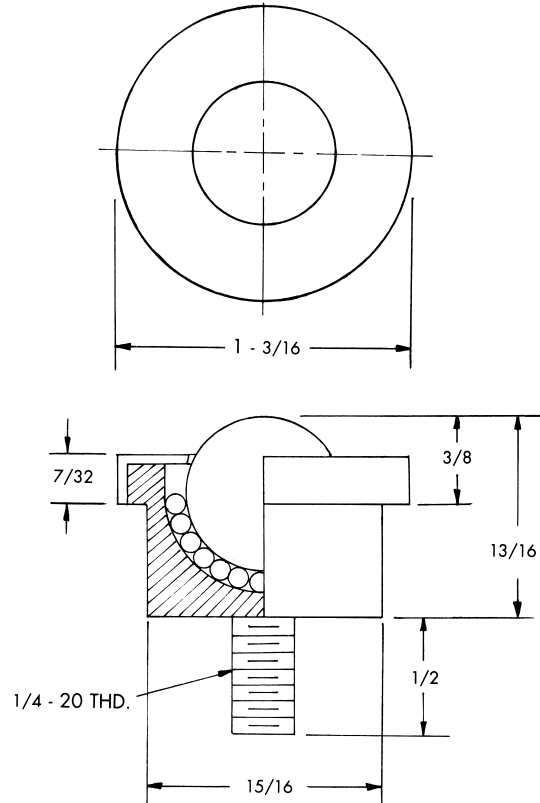
HUDSON BEARINGS BALL TRANSFERS

SMBT-5/8



STUD-MOUNTED, SOLID MACHINED, ALL-STEEL

- Solid machined cup with integral 1/4-20 threaded stem, hardened and plated for longevity.
- 5/8" Main ball rotates on 3/32" support balls.
- Units available with carbon steel balls or stainless steel balls to provide corrosion resistance.
- Nylon main ball is available for non-marking applications.



PART NO.	BALL MATERIAL	HOUSING MAT.	LOAD CAP.
SMBT-5/8CS	Carbon Steel	Carbon Steel	33 lbs.
NSMBT-5/8CS	Nylon	Carbon Steel	17 lbs.
SMBT-5/8CS/SS	Stainless	Carbon Steel	33 lbs.

HUDSON BEARINGS Inc.