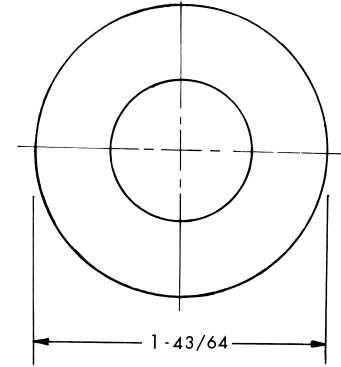


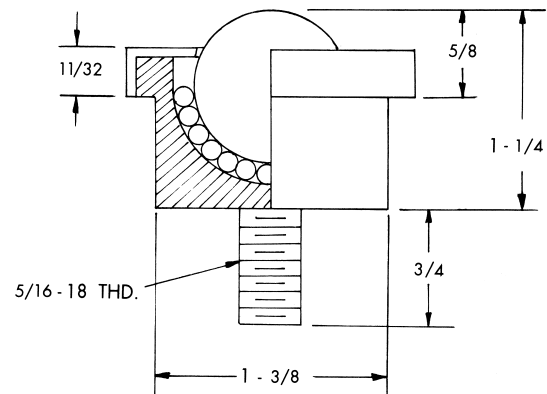
HUDSON BEARINGS BALL TRANSFERS

SMBT-1



STUD-MOUNTED, SOLID MACHINED, ALL-STEEL

- Solid machined cup with integral 5/16-18 threaded stem, hardened and plated for longevity.
- 1" Main ball rotates on 1/8" support balls.
- Units available with carbon steel balls or stainless steel balls to provide corrosion resistance.
- Nylon main ball is available for non-marking applications.



PART NO.	BALL MATERIAL	HOUSING MAT.	LOAD CAP.
SMBT-1CS	Carbon Steel	Carbon Steel	200 lbs.
NSMBT-1CS	Nylon	Carbon Steel	100 lbs.
SMBT-1CS/SS	Stainless	Carbon Steel	200 lbs.

HUDSON BEARINGS Inc.