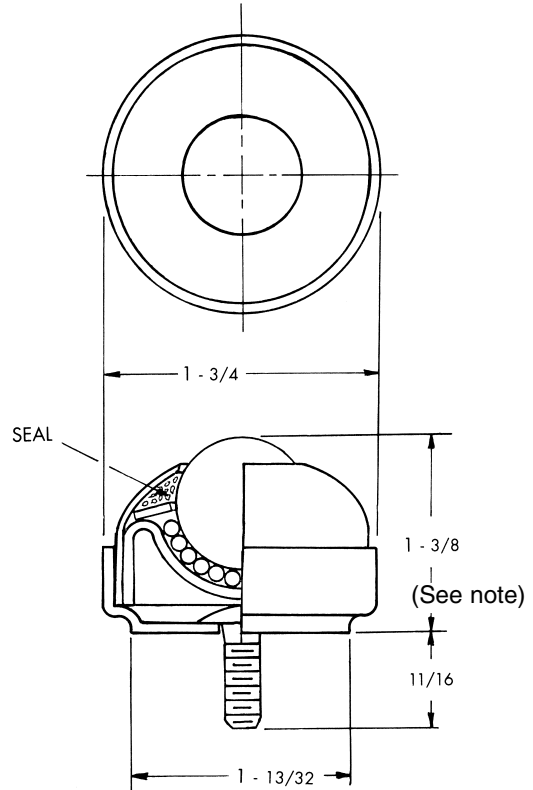


# HUDSON BEARINGS BALL TRANSFERS

## SBT-1 & DSBT-1



### STUD-MOUNTED, ALL-STEEL

- Threaded stem sizes: 1/4-20, 5/16-18, 3/8-16
- 1" Main ball rotates on (80) 1/8" support balls.
- Ball support cup is hardened and plated.
- Protective cover assures low torque and longevity.
- Units available in plated carbon steel or stainless steel to provide corrosion resistance.
- Nylon main ball is available for non-marking applications.

**NOTE:** Also available with a base to ball height of 1-17/32" in 1/4" stem only (part number **DSBT-1**).

PART NO.	BALL MATERIAL	HOUSING MAT.	LOAD CAP.
<b>SBT-1CS</b>	Carbon Steel	Carbon Steel	75 lbs.
<b>NSBT-1CS</b>	Nylon	Carbon Steel	35 lbs.
<b>SBT-1CS/SS</b>	Stainless	Carbon Steel	75 lbs.
<b>SBT-1SS</b>	Stainless	Stainless*	75 lbs.

\*Mounting cup & screw are plated carbon steel

### HUDSON BEARINGS Inc.