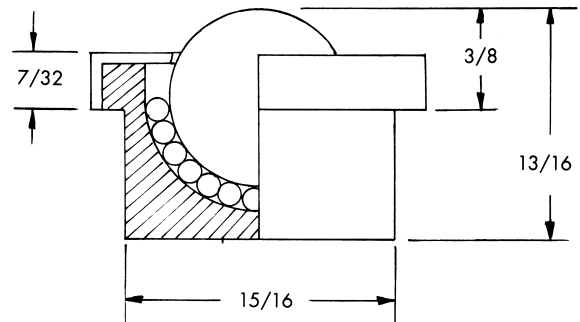
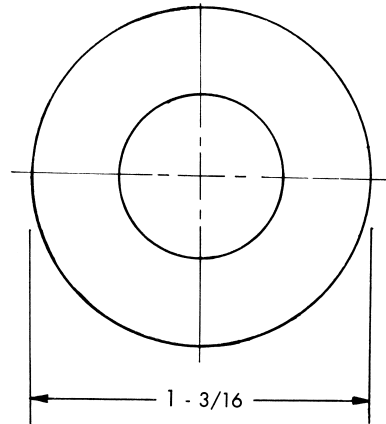


HUDSON BEARINGS BALL TRANSFERS

MBT-5/8



DROP-IN STYLE, SOLID MACHINED, ALL-STEEL

- Integral flange at top allows unit to be dropped into 1" diameter hole.
- 5/8" Main ball rotates on 3/32" support balls.
- Ball support cup is machined from solid steel and is hardened and plated for longevity.
- Plated steel cover.
- Units available with carbon steel balls or stainless steel balls to provide corrosion resistance.
- Nylon main ball is available for non-marking applications.

PART NO.	BALL MATERIAL	HOUSING MAT.	LOAD CAP.
MBT-5/8CS	Carbon Steel	Carbon Steel	33 lbs.
NMBT-5/8CS	Nylon	Carbon Steel	17 lbs.
MBT-5/8CS/SS	Stainless	Carbon Steel	33 lbs.

HUDSON BEARINGS Inc.