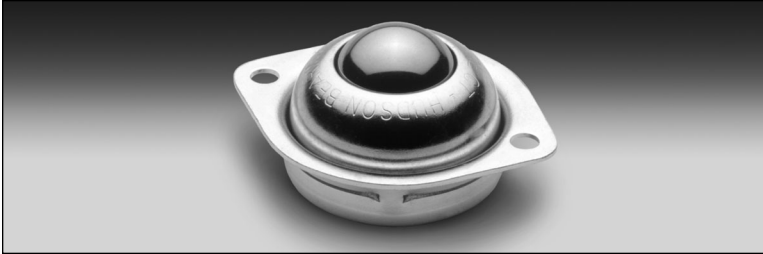


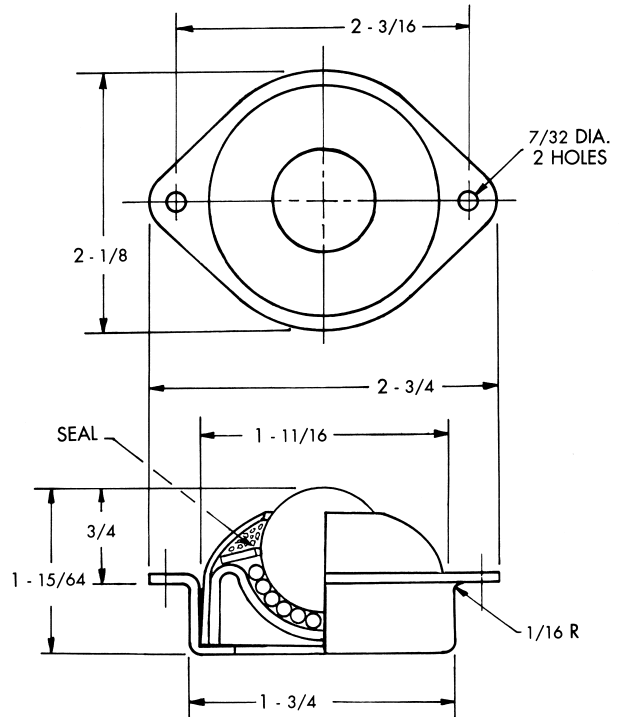
HUDSON BEARINGS BALL TRANSFERS

LPBT-1



LOW-PROFILE, TWO-HOLE, FLANGE-MOUNTED, ALL-STEEL BALL TRANSFER

- Designed to be recessed into the surface of the application in a 1-3/4" hole.
- 1" Main ball rotates on (80) 1/8" support balls.
- Ball support cup is hardened and plated.
- Protective cover assures low torque and longevity.
- Units available in plated carbon steel or stainless steel to provide corrosion resistance.
- Nylon main ball is available for non-marking applications.



PART NO.	BALL MATERIAL	HOUSING MAT.	LOAD CAP.
LPBT-1CS	Carbon Steel	Carbon Steel	75 lbs.
NLPBT-1CS	Nylon	Carbon Steel	35 lbs.
LPBT-1CS/SS	Stainless	Carbon Steel	75 lbs.
LPBT-1SS	Stainless	Stainless*	75 lbs.

*Mounting cup is plated carbon steel

HUDSON BEARINGS Inc.