

HUDSON BEARINGS BALL TRANSFERS

HDBT-1-3/16



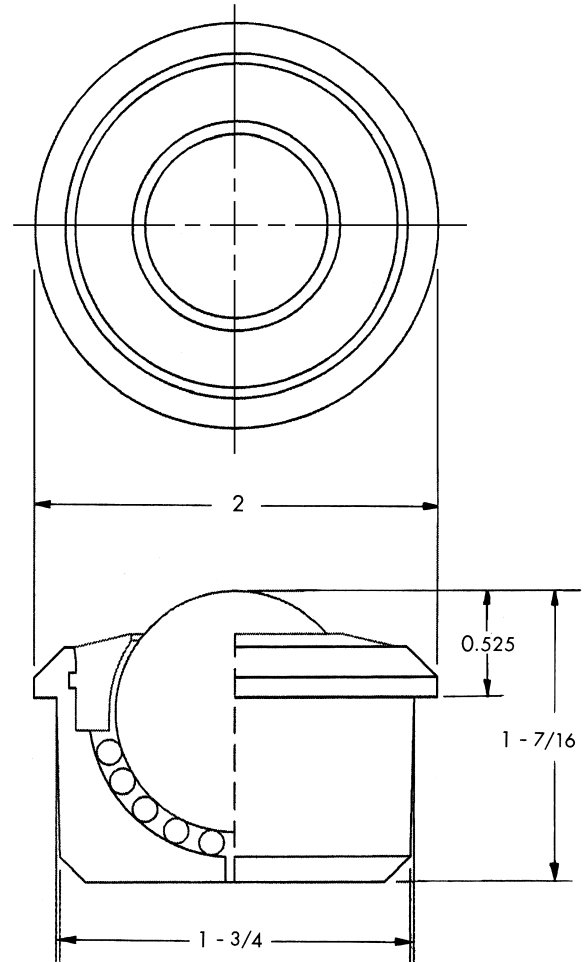
500 LB. CAPACITY BALL TRANSFER

- Integral flange at top allows unit to be dropped into a 1-3/4" diameter hole.
- 1-3/16" Main ball rotates on 1/8" support balls.
- Ball support cup is machined from solid steel and is hardened and plated for longevity.
- Retaining ring is solid plastic.
- Units available with carbon steel balls or stainless steel balls to provide corrosion resistance.

HDBT-1-3/16SR

Available with exterior sound reduction collar.

- Nylon collar, recessed below the flange, reduces noise when the unit is installed in a metal application surface.



HUDSON BEARINGS Inc.

13 Colton Road, East Lyme, CT 06333 • Tel: 860-739-6988 • Fax: 860-739-7251 • www.hudsonbearings.com