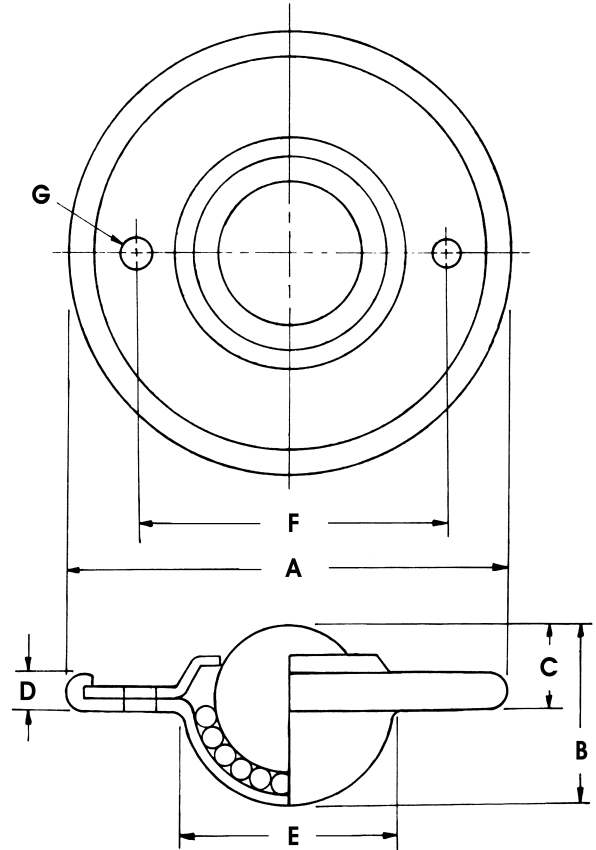
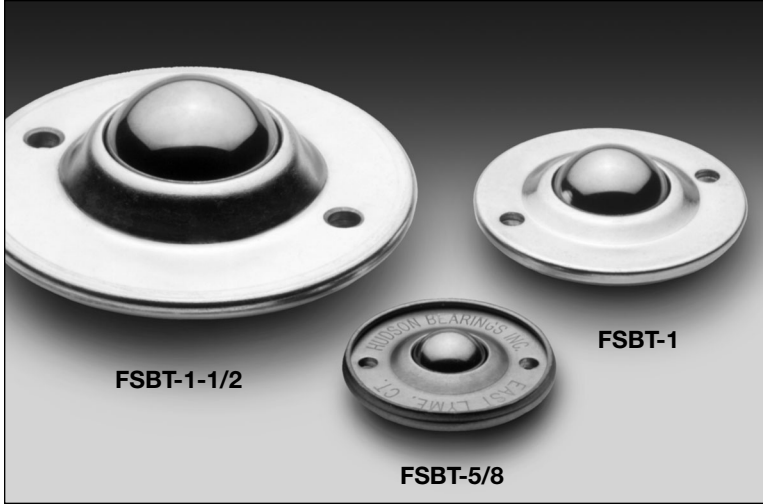


HUDSON BEARINGS BALL TRANSFERS

FSBT



VERSATILE, COMPACT, ALL-STEEL FLYING SAUCER BALL TRANSFERS

- Can be recessed into the surface of the application forming a smooth, multi-directional rolling surface.
- Precision-formed steel housing.
- Integral mounting holes for ease of installation.
- Units available with carbon steel balls or stainless steel balls to provide corrosion resistance.
- Nylon main ball is available for non-marking applications.

PART NO.	BALL MATERIAL	HOUSING MATERIAL	MAIN BALL	LOAD CAP.	A	B	C	D	E	F	G
FSBT-5/8CS	Carbon Steel	Carbon Steel	5/8"	20 lbs.	1-11/16"	3/4"	3/8"	5/32"	31/32"	1-1/4"	9/64"
NFSBT-5/8CS	Nylon	Carbon Steel	5/8"	10 lbs.	1-11/16"	3/4"	3/8"	5/32"	31/32"	1-1/4"	9/64"
FSBT-5/8CS/SS	Stainless	Carbon Steel	5/8"	20 lbs.	1-11/16"	3/4"	3/8"	5/32"	31/32"	1-1/4"	9/64"
FSBT-1CS	Carbon Steel	Carbon Steel	1"	75 lbs.	2-1/4"	1-7/32"	5/8"	3/16"	1-1/2"	1-3/4"	3/16"
NFSBT-1CS	Nylon	Carbon Steel	1"	40 lbs.	2-1/4"	1-7/32"	5/8"	3/16"	1-1/2"	1-3/4"	3/16"
FSBT-1CS/SS	Stainless	Carbon Steel	1"	75 lbs.	2-1/4"	1-7/32"	5/8"	3/16"	1-1/2"	1-3/4"	3/16"
FSBT-1-1/2CS	Carbon Steel	Carbon Steel	1-1/2"	200 lbs.	3-21/32"	1-13/16"	1-9/64"	9/32"	2"	2-3/4"	9/32"
NFSBT-1-1/2CS	Nylon	Carbon Steel	1-1/2"	100 lbs.	3-21/32"	1-13/16"	1-9/64"	9/32"	2"	2-3/4"	9/32"
FSBT-1-1/2CS/SS	Stainless	Carbon Steel	1-1/2"	200 lbs.	3-21/32"	1-13/16"	1-9/64"	9/32"	2"	2-3/4"	9/32"

HUDSON BEARINGS Inc.