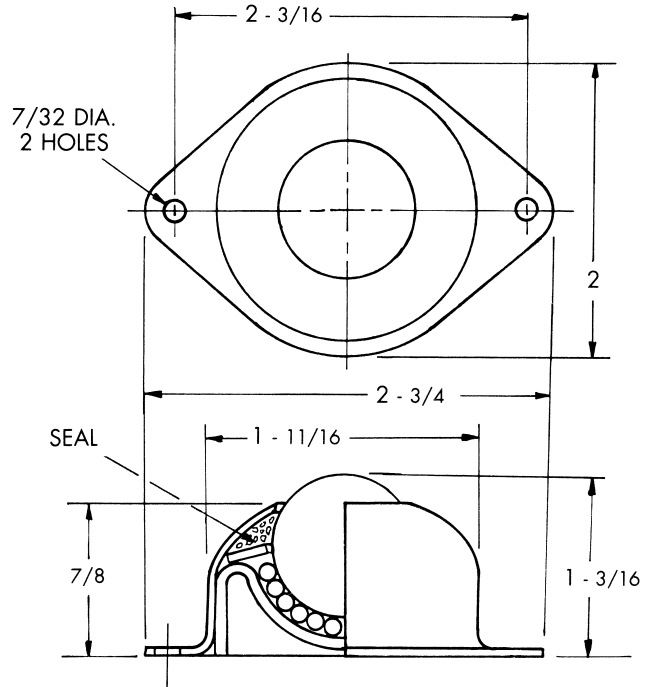
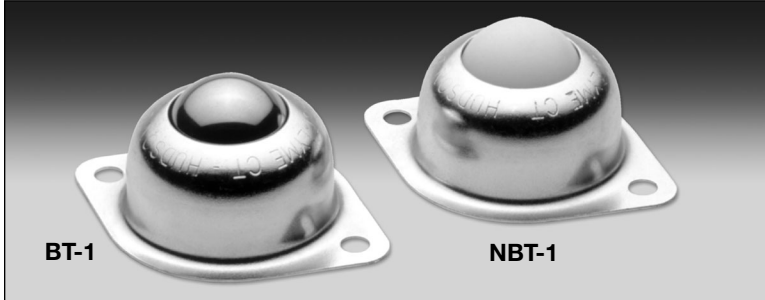


HUDSON BEARINGS BALL TRANSFERS

BT-1



TWO-HOLE, FLANGE-MOUNTED, ALL-STEEL

- 1" Main ball rotates on (80) 1/8" support balls.
- Ball support cup is hardened and plated.
- Protective cover assures low torque and longevity.
- Units available in plated carbon steel or stainless steel to provide corrosion resistance.
- Nylon main ball is available for non-marking applications.
- Also available in recessed low-profile mounting style: **LPBT-1**

PART NO.	BALL MATERIAL	HOUSING MAT.	LOAD CAP.
BT-1CS	Carbon Steel	Carbon Steel	75 lbs.
NBT-1CS	Nylon	Carbon Steel	35 lbs.
BT-1CS/SS	Stainless	Carbon Steel	75 lbs.
BT-1SS	Stainless	Stainless	75 lbs.

HUDSON BEARINGS Inc.